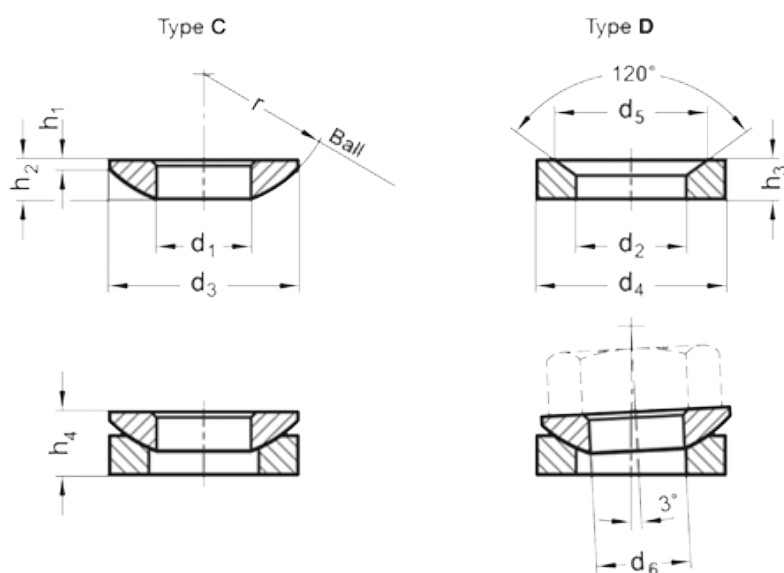


Article number: 208060071

Description: E+G Sphericalwasher female DIN 6319-9,6-D-NI
Stainless Steel 1.4305

Measures



d2 = 9.6
d4 = 17
d5 = 14.5
d6 = M8
H3 = 3.5
H4 = 5.6